



# SBV-180BW

Back Box



## Key Features

- Material : Aluminum
  - Dimensions : Ø183.8x51mm(Ø7.23x2.01")
  - Weight : 650g
  - Color : White
- 
- Supported products: XND-C9083RV/C8083RV/C7083RV/C6083RV, XND-C9083R/C8083R/C7083R/C6083R, XND-9083RV/8093RV/8083RV/6083RV, XNV-9083R/8093R/8083R/6083R, XND-9082RV/8082RV, XNV-9082R/8082R

## Compatible Accessories (Optional)



XNV-8093R



XND-6083RV



XND-C6083RV



XNV-9083R



XND-C9083RV



XND-C8083RV



XND-9083RV



XNV-6083R



XND-C7083RV



XND-8093RV



XND-8083RV



XND-8082RV



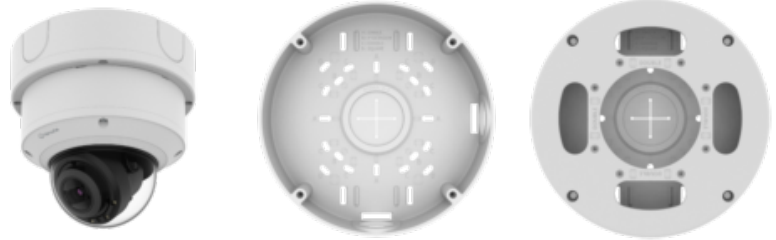
XNV-9082R



XNV-8082R

# SBV-180BW

Back Box

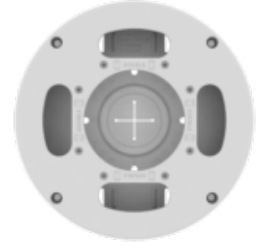


## Specifications

Mechanical	
Color	White
Material	Aluminum
RAL code	RAL9003
Product dimensions / weight	Ø183.8x51mm(Ø7.23x2.01"), 650g
Mount Screw size	TR20
Conduit hole	19.1mm(3/4") (M25)
Supported products	XND-C9083RV/C8083RV/C7083RV/C6083RV, XND-C9083R/C8083R/C7083R/C6083R, XND-9083RV/8093RV/8083RV/6083RV, XNV-9083R/8093R/8083R/6083R, XND-9082RV/8082RV, XNV-9082R/8082R

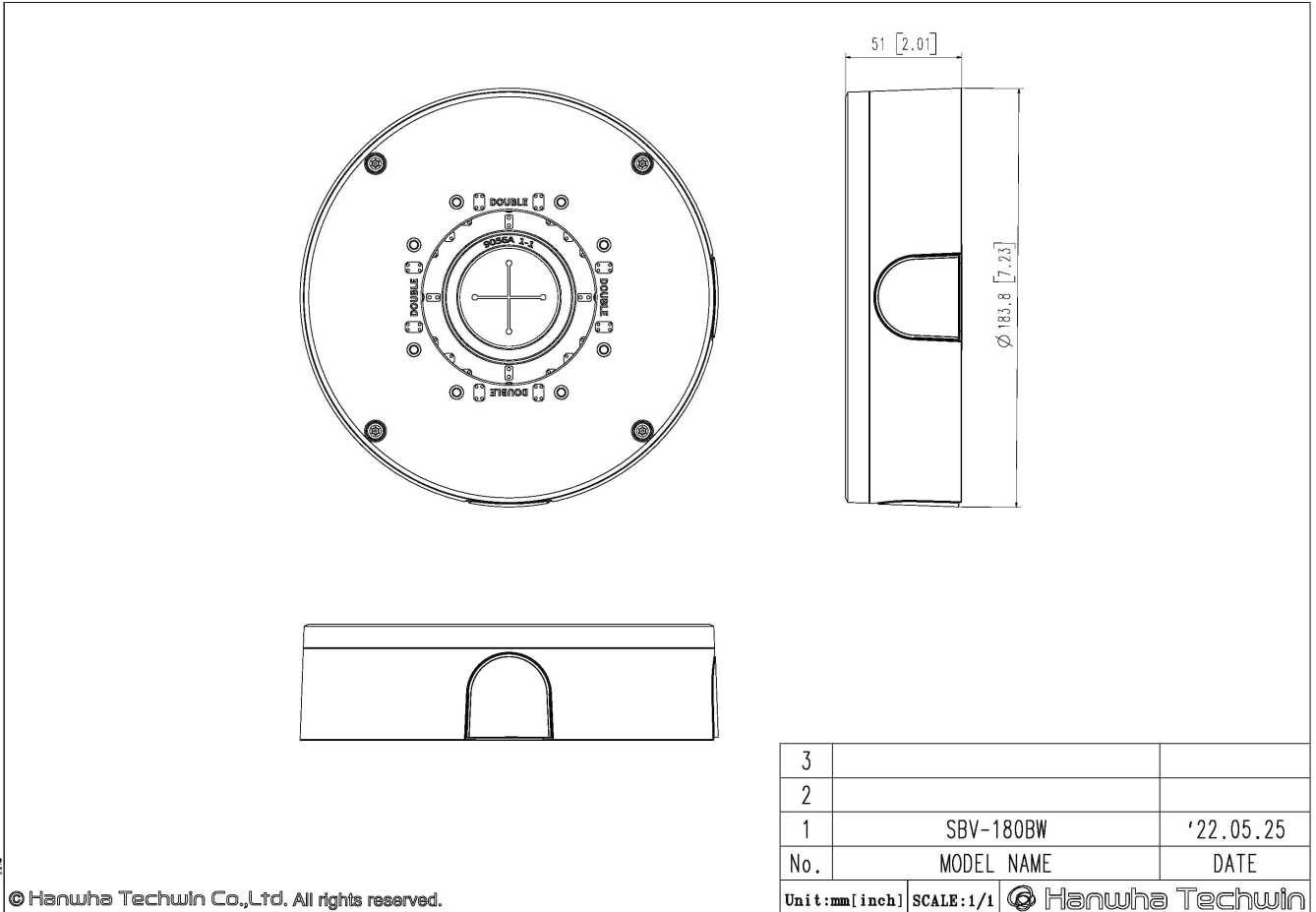
# SBV-180BW

Back Box



CAD

Unit:mm [inch]



A2

© Hanwha Techwin Co.,Ltd. All rights reserved.